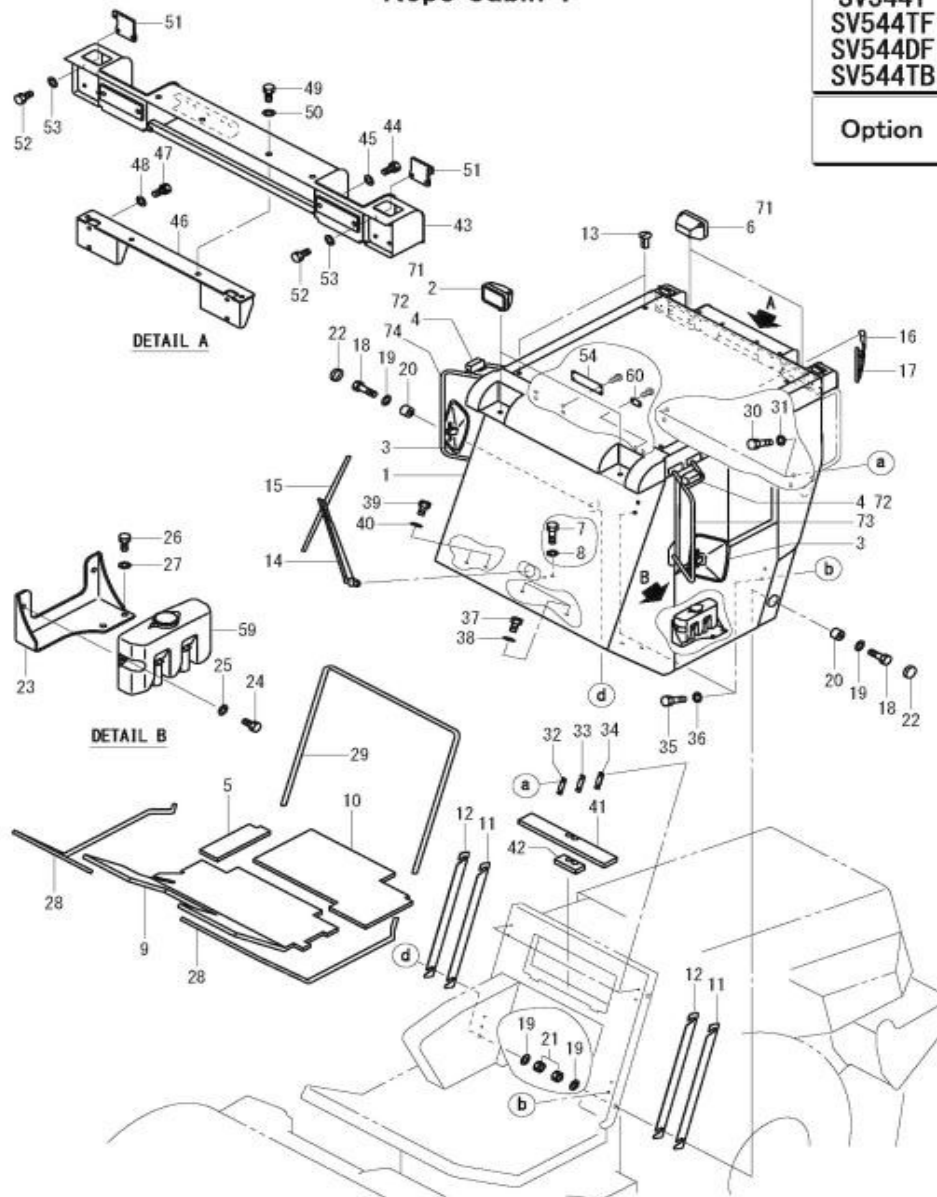


No.	PartsName	PartsNo.	Qty
1	ROPS CABIN	4720-28000-0	1 INC.2-4.6.13-1 7.22.28.29.59
2	WORKING LAMP	4718-57001-0	2 INC.71
3	MIRROR	4718-57002-0	2
4	TURN SIGNAL LAMP	4718-57003-0	2 INC.72
5	MAT	1418-33265-0	1
6	WORKING LAMP	4718-57001-0	2 INC.71
7	BOLT	2100-12035-1	4
8	WASHER	2170-12032-2	4
9	MAT	1418-33263-0	1
10	MAT	1418-33264-0	1
11	SHIM	1418-33031-0	0 AR t1.6
12	SHIM	1418-33032-0	0 AR t2.3
13	CAP	4718-57004-0	4
14	WIPER ARM	4718-57007-0	1 Front
15	WIPER BLADE	4718-65001-0	1 Front
16	WIPER ARM	4718-57005-0	1 Rear
17	WIPER BLADE	4718-57006-0	1 Rear
18	BOLT	3100-28072-0	4
19	WASHER	2170-24060-2	8
20	SPACER	3931-05401-0	4
21	NUT	2120-24190-2	4
22	COVER	4718-65002-0	4
23	BRACKET	1418-33262-0	1
24	BOLT	2100-06016-1	2
25	WASHER	2170-06016-0	2
26	BOLT	2100-10020-1	2
27	WASHER	2170-10032-2	2
28	SEAL	4718-57009-0	2
29	SEAL	4718-57010-0	1
30	BOLT	2100-12035-1	4
31	WASHER	2170-12032-2	4
32	SHIM	1418-33081-0	0 AR t2.3
33	SHIM	1418-33082-0	0 AR t3.2
34	SHIM	1418-33083-0	0 AR t4.5
35	BOLT	2100-12035-1	4
36	WASHER	2170-12032-2	4
37	BOLT	2100-12035-1	2
38	WASHER	2170-12032-2	2
39	BOLT	2100-12035-1	4
40	WASHER	2170-12030-1	4
41	FOAM	1418-33266-0	1
42	FOAM	1418-33267-0	1
43	COVER	1418-33268-0	1
44	BOLT	2100-12025-1	4
45	WASHER	2170-12032-2	4
46	BRACKET	1418-33232-0	1
47	BOLT	2100-12025-1	4
48	WASHER	2170-12032-2	4
49	BOLT	2100-10020-1	4
50	WASHER	2170-10020-0	4
51	CLAMP	1418-33259-0	2
52	BOLT	2100-10020-1	4
53	WASHER	2170-10020-0	4
54	COVER	1418-33261-0	1
59	TANK	4720-28002-0	1
60	COVER	1418-33276-0	1
71	VALVE	4907-44001-0	1
72	VALVE	2849-12008-6	1
73	STAY	4718-96002-0	1 LH
74	STAY	4718-96001-0	1 RH

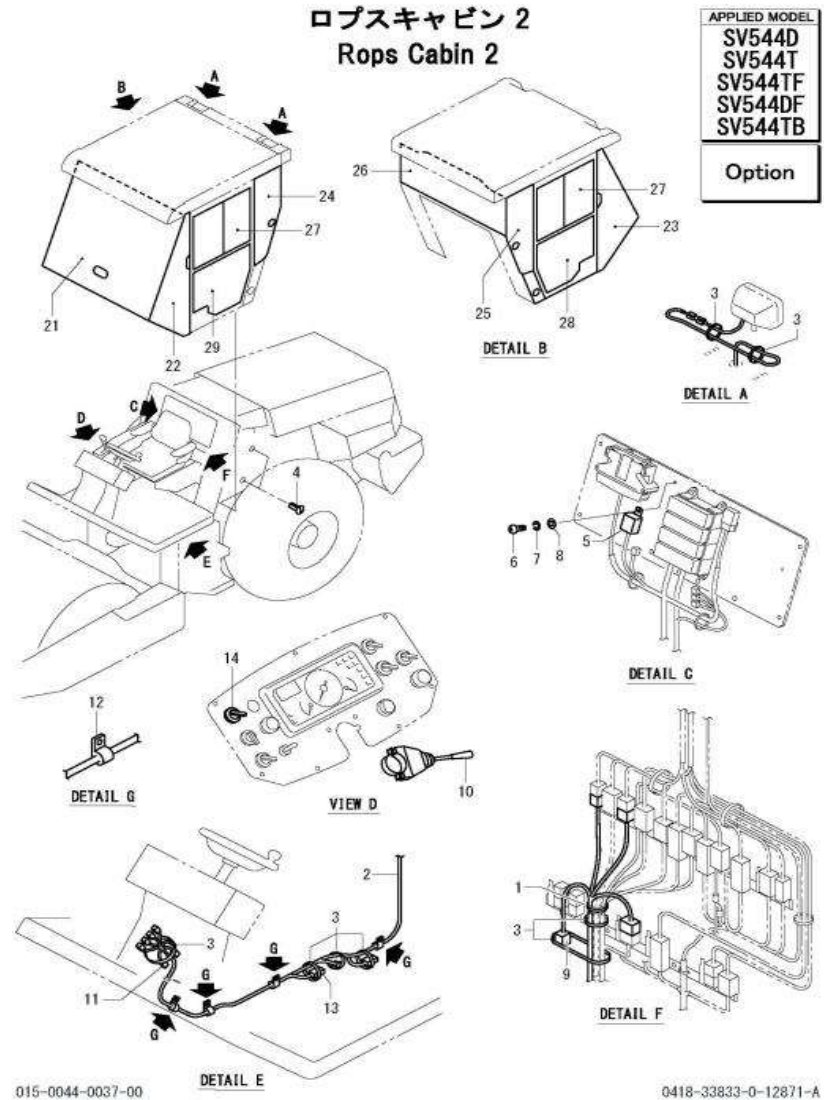
ロプスカビン 1 Rops Cabin 1

APPLIED MODEL
SV544D
SV544T
SV544TF
SV544DF
SV544TB

Option



No.	PartsName	PartsNo.	Qty	Remark
1	BAND	2898-00103-0	1	
2	HARNESS	4919-21000-1	1	
3	BAND	2898-00107-0	10	
4	PLUG	4718-66000-0	4	
5	FLASHER UNIT	4913-53000-0	1	
6	SCREW	2182-06008-2	1	
7	SPRING WASHER	2171-06015-0	1	
8	WASHER	2170-06016-0	1	
9	CONNECTOR	1418-09034-0	1	
10	TURN SIGNAL SWITCH	2827-00002-0	1	
11	CONNECTOR	1447-09002-0	1	
12	CLAMP	2416-28011-2	4	
13	CONNECTOR	1418-09034-0	1	
14	SWITCH	2828-01001-2	1	
21	GLASS	4718-65003-0	1	FR CTR
22	GLASS	4718-65004-0	1	FR LH
23	GLASS	4718-65005-0	1	FR RH
24	GLASS	4718-65006-0	1	SIDE LH
25	GLASS	4718-65007-0	1	SIDE RH
26	GLASS	4718-65008-0	1	BACK
27	SASH	4718-65010-0	2	DOOR
28	GLASS	4718-96004-0	1	DOOR LOWER RH
29	GLASS	4718-96005-0	1	DOOR LOWER LH

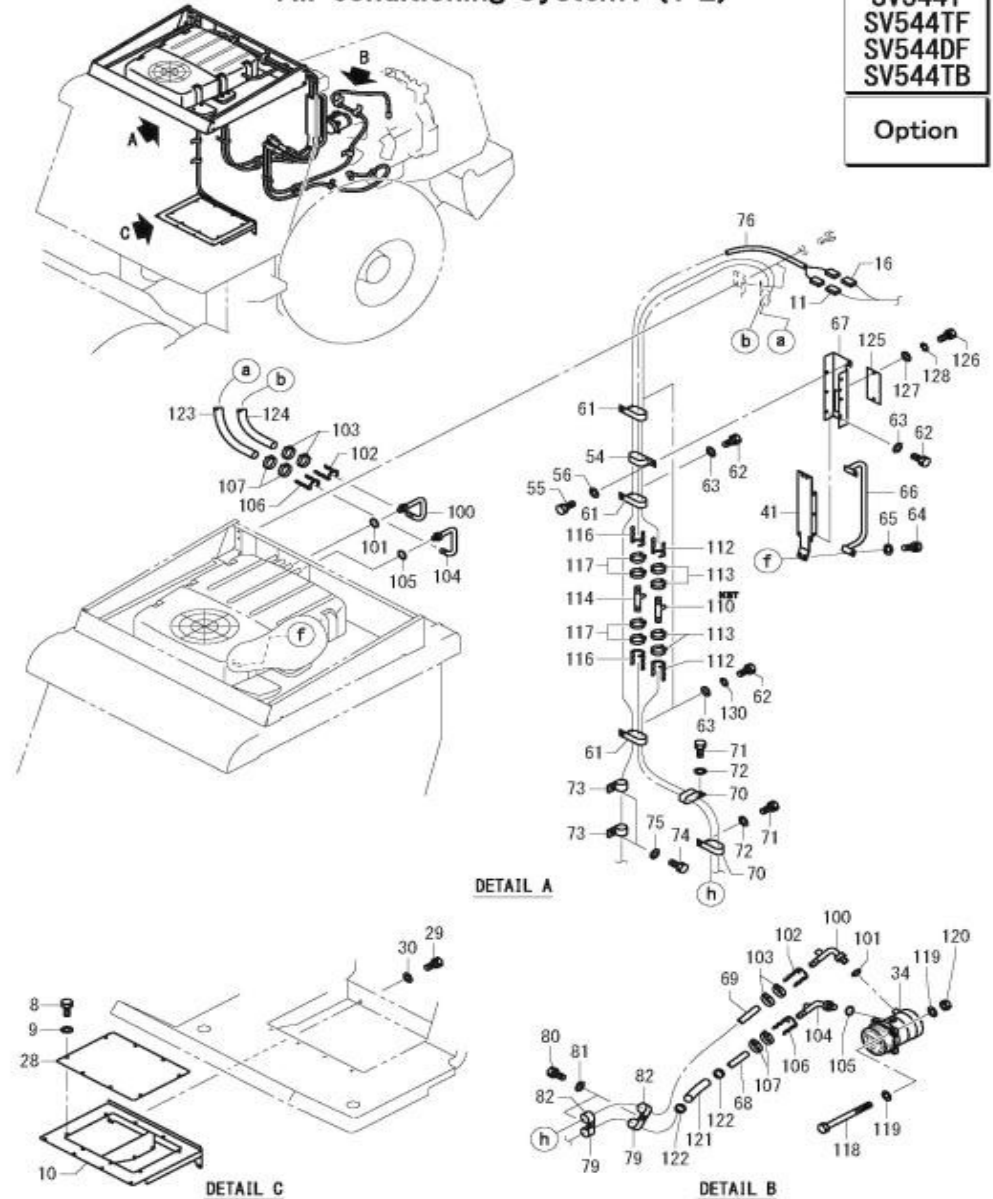


No.	PartsName	PartsNo.	Qty	Remark
8	BOLT	2100-10020-1	8	
9	WASHER	2170-10030-1	8	
10	COVER	1418-33260-0	1	
11	CONNECTOR	4919-69006-0	1	
16	CONNECTOR	4919-69007-0	1	
28	COVER	1418-33238-0	1	
29	BOLT	2100-10020-1	6	
30	WASHER	2170-10030-1	6	
34	COMPRESSOR	4720-32000-0	1	
41	BRACKET	1418-33269-2	1	
54	CLAMP	3416-02129-0	1	
55	BOLT	2100-10016-1	1	
56	WASHER	2170-10020-0	1	
61	CLAMP	3416-02129-0	3	
62	BOLT	2100-10014-1	9	
63	WASHER	2170-10032-2	9	
64	BOLT	2100-12025-1	2	
65	WASHER	2170-12025-0	2	
66	PIPE	1418-33235-0	1	
67	COVER	1418-33247-1	1	
68	HOSE	1418-33274-1	1	
69	HOSE	1418-33275-1	1	
70	CLAMP	3416-02129-0	2	
71	BOLT	2100-10016-1	2	
72	WASHER	2170-10020-0	2	
73	CLAMP	2416-10011-2	2	
74	BOLT	2100-10016-1	2	
75	WASHER	2170-10020-0	2	
76	HARNESS	4919-20000-1	1	
79	CLAMP	2416-18011-2	2	
80	BOLT	2100-10016-1	2	
81	WASHER	2170-10020-0	2	
82	CLAMP	2416-24011-2	2	
100	ADAPTER	4720-41000-0	2	
101	O-RING	4720-39001-0	2	
102	CLAMP	4720-39002-0	2	
103	CLAMP	4720-39003-0	4	
104	ADAPTER	4720-42000-0	2	
105	O-RING	4720-40001-0	2	
106	CLAMP	4720-40002-0	2	
107	CLAMP	4720-40003-0	4	
110	ADAPTER	4919-69004-0	1	
112	CLAMP	4720-40002-0	2	
113	CLAMP	4720-40003-0	4	
114	ADAPTER	4919-69005-0	1	
116	CLAMP	4720-39002-0	2	
117	CLAMP	4720-39003-0	4	
118	BOLT	2100-10130-1	2	
119	WASHER	2170-10032-2	4	
120	NUT	2120-10080-0	2	
121	FELT	1446-36047-0	1	
122	BAND	2898-00107-0	2	
123	HOSE	1418-33314-0	1	
124	HOSE	1418-33313-0	1	
125	COVER	1418-33312-0	1	
126	BOLT	2100-08016-1	2	
127	WASHER	2170-08016-0	2	
128	SPRING WASHER	2171-08020-0	2	
130	SPRING WASHER	2171-10025-0	2	

エアコン関係 1(1-2)
Air conditioning System1 (1-2)

APPLIED MODEL
SV544D
SV544T
SV544TF
SV544DF
SV544TB

Option



015-0044-0039-00

0418-33834-0-12860-A

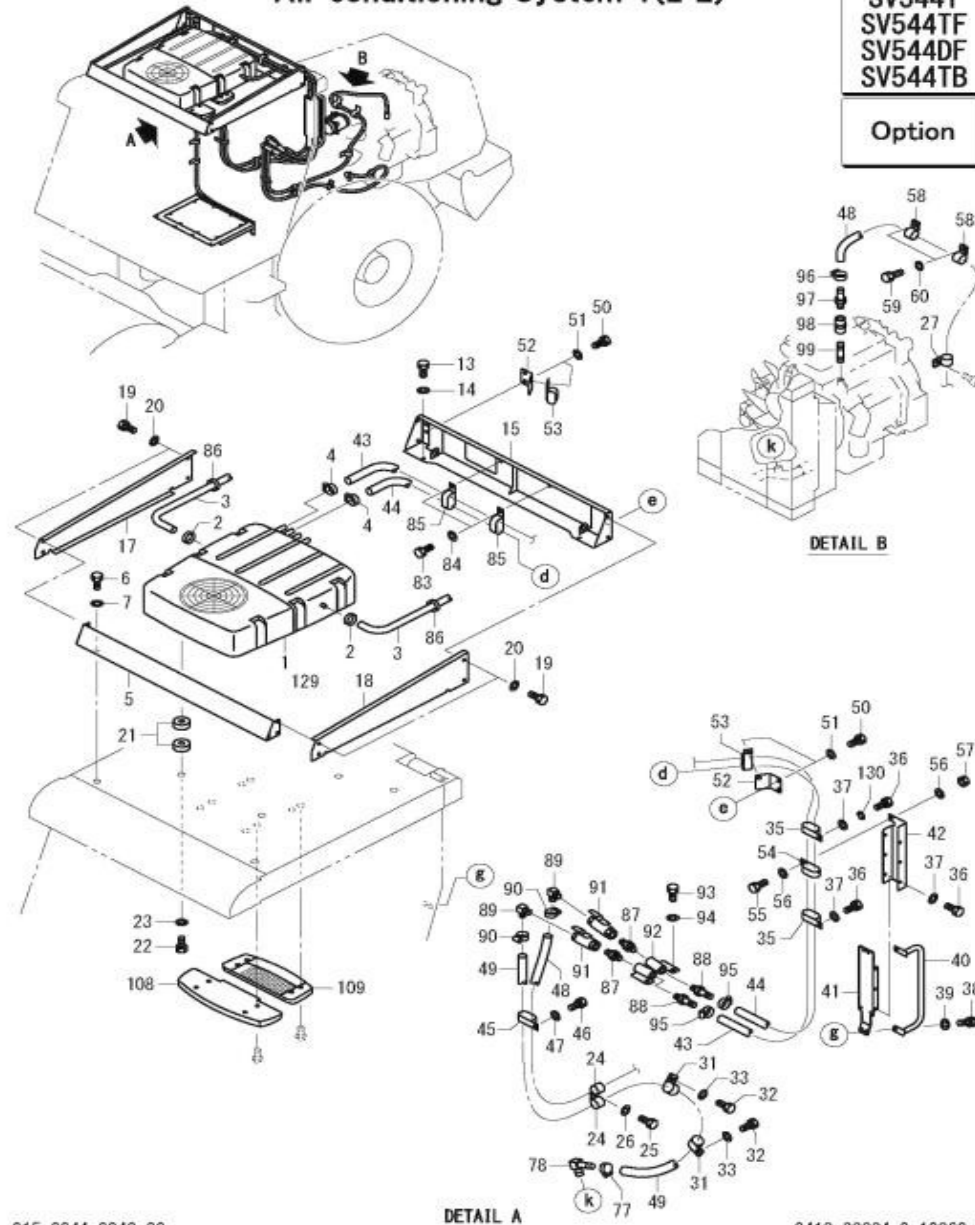
No.	PartsName	PartsNo.	Qty	Remark
1	AIR CON UNIT	4919-37000-0	1	INC.3.21.108.109
2	BAND	2898-00103-0	2	
3	HOSE	4919-37002-0	2	
4	CLAMP	3291-01018-0	2	
5	COVER	1418-33254-1	1	
6	BOLT	2100-12020-1	2	
7	WASHER	2170-12030-1	2	
13	BOLT	2100-12020-1	2	
14	WASHER	2170-12030-1	2	
15	COVER	1418-33257-1	1	
17	COVER	1418-33255-0	1	
18	COVER	1418-33256-0	1	
19	BOLT	2100-10020-1	8	
20	WASHER	2170-10020-0	8	
21	WASHER	4919-37009-0	8	
22	BOLT	2100-10080-1	4	
23	WASHER	2170-10020-0	4	
24	CLAMP	2416-24011-2	2	
25	BOLT	2100-10016-1	1	
26	WASHER	2170-10020-0	1	
27	CLAMP	2416-24011-2	1	
31	CLAMP	2416-24011-2	2	
32	BOLT	2100-10016-1	2	
33	WASHER	2170-10020-0	2	
35	CLAMP	3416-02129-0	2	
36	BOLT	2100-10014-1	8	
37	WASHER	2170-10032-2	8	
38	BOLT	2100-12025-1	2	
39	WASHER	2170-12025-0	2	
40	PIPE	1418-33236-0	1	
41	BRACKET	1418-33269-2	1	
42	COVER	1418-33248-0	1	
43	HOSE	1418-33271-0	1	
44	HOSE	1418-33272-0	1	
45	CLAMP	3416-02129-0	1	
46	BOLT	2100-10016-1	1	
47	WASHER	2170-10020-0	1	
48	HOSE	1418-33273-0	1	
49	HOSE	1418-33270-0	1	
50	BOLT	2100-10020-1	6	
51	WASHER	2170-10020-0	6	
52	BRACKET	1418-33258-0	2	
53	CLAMP	3416-02129-0	2	
54	CLAMP	3416-02129-0	1	
55	BOLT	2100-10016-1	1	
56	WASHER	2170-10020-0	2	
57	NUT	2120-10080-0	1	
58	CLAMP	2416-24011-2	2	
59	BOLT	2100-10016-1	2	
60	WASHER	2170-10020-0	2	
77	CLAMP	3291-01018-0	1	
78	HOSE NIPPLE	4425-43000-0	1	
83	BOLT	2100-10020-1	2	
84	WASHER	2170-10020-0	2	
85	CLAMP	3416-02129-0	2	
86	BAND	2898-00103-0	2	
87	NIPPLE	2221-03003-0	2	
88	JOINT	4417-30000-0	2	
89	HOSE NIPPLE	3292-12058-0	2	
90	CLAMP	3291-01018-0	2	
91	BALL VALVE	2380-03001-7	2	
92	SOCKET	1418-33243-0	1	
93	BOLT	2100-10020-1	2	
94	WASHER	2170-10020-0	2	
95	CLAMP	3291-01018-0	2	
96	CLAMP	3291-01018-0	1	
97	NIPPLE	4425-36000-0	1	
98	HOSE NIPPLE	4425-44000-0	1	
99	HOSE NIPPLE	4425-45000-0	1	
108	PANEL	4919-37001-0	1	
109	FILTER	4919-37003-0	1	
129	AIR CON KIT	4919-69000-0	1	INC.11.16.34.43.44 .48.49.100-107.110 .112-114.116.117
130	SPRING WASHER	2171-10025-0	1	

エアコン関係 1(2-2) Air conditioning System 1(2-2)

APPLIED MODEL

SV544D
SV544T
SV544TF
SV544DF
SV544TB

Option



015-0044-0040-00

DETAIL A

0418-33834-0-12860-A

No.	PartsName	PartsNo.	Qty	Remark
1	BOLT	2100-12025-1	4	
2	WASHER	2170-12025-0	4	
3	COVER	1418-33237-0	2	
4	BOLT	2100-10020-1	3	
5	WASHER	2170-10030-1	3	
6	COVER	1418-33133-1	1	
7	COVER	1418-33056-1	1	
8	BOLT	2100-10025-1	4	
9	WASHER	2170-10030-1	4	
10	COVER	1418-33134-1	1	
11	BOLT	2100-10020-1	3	
12	WASHER	2170-10030-1	3	
13	BOLT	2100-10025-1	2	
14	WASHER	2170-10020-0	2	
15	WASHER	2170-10030-1	2	
16	NUT	2120-10080-0	2	
17	FOAM	1418-33163-0	1	
18	FOAM	1418-33164-0	2	
19	SCREW	3180-20050-0	8	
20	WASHER	2170-05010-0	8	
21	SPRING WASHER	2171-05013-0	8	
22	BELT	4033-92000-0	1	
23	WASHER	4919-37006-0	1	
24	NUT	4919-37005-0	1	
25	KNOB	4919-37004-0	1	

エアコン関係 2 Air conditioning System 2

APPLIED MODEL
SV544D
SV544T
SV544TF
SV544DF
SV544TB

Option

