

SAKAI®

SW504

Asphalt Compactor



SW504

Vibratory Tandem Roller

Compact double drum vibrating roller with all-drum drive and articulated steering.

Eco Mode

- Sakai's new Eco Compaction Mode (ECM) reduces fuel consumption up to 30%

Best Compaction Quality and Efficiency

- High-Low amplitude selector switch on the SW504 allows for use in wider applications
- Excellent gradeability

High Safety Standards

- Built-in safety features prevent accidental starting. Starts only when the Forward, Neutral & Reverse Lever is in the neutral position and driver presses down the parking brake switch
- 1m x 1m visibility
- Emergency brake pedal is standard

Easy Maintenance

- Sprinkler system with anti-clog package: plastic water tank, triple-protection filtration, etc., and perfect draining winterization
- Oil bath lubrication for drum vibrator mechanism

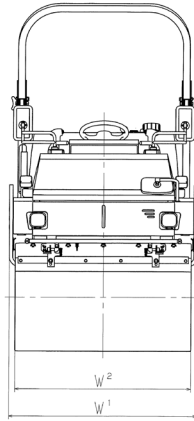


SW504 Wide Drum

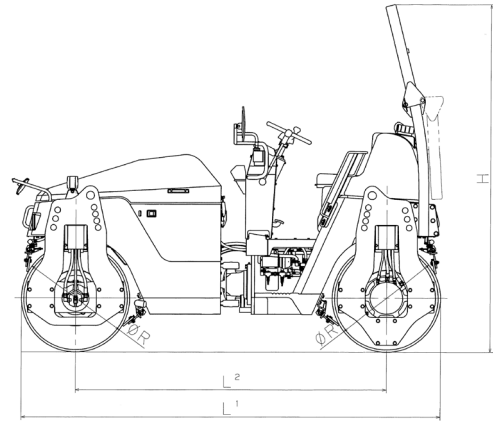
www.sakaiamerica.com

Options shown. Contact your dealer for details.

SW504



SW504



TYPE			Vibratory Tandem Roller		
MODEL			SW504	SW504 WIDE DRUM	
CHASSIS MODEL			1SW74		
WEIGHTS	Operating weight (with ROPS)	kg(lbs)	4,060 (8,955)	4,200 (9,260)	
	Load on front axle (with Operating weight)	kg(lbs)	1,990 (4,390)	2,060 (4,540)	
	Load on rear axle (with Operating weight)	kg(lbs)	2,070 (4,565)	2,140 (4,720)	
PERFORMANCE	Centrifugal force (L / H)	kN(lbs)/kg(lb)	26.5 / 34.3 (5,955 / 7,710) [2,700 / 3,500]		
	Frequency (L / H)	Hz(vpm)	55 / 55 (3,300 / 3,300)		
	Amplitude (L / H)	mm(in)	0.27 / 0.35 (0.011 / 0.014)	0.26 / 0.34 (0.010 / 0.013)	
	Dynamic linear pressure for front drum (operating weight with ROPS)	N/cm(lb/in)	354 / 414 (200 / 235)	338 / 395 (195 / 225)	
	Dynamic linear pressure for rear drum (operating weight with ROPS)	N/cm(lb/in)	360 / 420 (205 / 240)	344 / 401 (195 / 230)	
	Number of speed shifts		2		
	Speed range (L / H)	km/h(mph)	0-7.5 / 0-10 (0-4.7 / 0-6.2)		
	Gradeability	%(°)	38(21)		
	Turning radius outside compacted surface	m(in)	4.3 (170)	4.4 (174)	
	DIMENSIONS	Overall length L ²	mm(in)	3,100 (122)	
Overall width W ²		mm(in)	1,390 (55)	1,470 (58)	
Overall height (without ROPS)		mm(in)	1,705 (67)		
Overall height (with ROPS) H		mm(in)	2,565 (101)		
Wheelbase L ¹		mm(in)	2,300 (91)		
Compaction width W ¹		mm(in)	1,300 (51)	1,380 (54)	
Drum width / Drum diameter		mm(in)	1,300 / 800 (51 / 31)		
Shell thickness		mm(in)	17 (0.7)		
Ground clearance		mm(in)	280 (11)		
Curb clearance		mm(in)	635 (25)		
Side clearance		mm(in)	45 (2)		
ENGINE		Make		KUBOTA	
		Model		D1803-CR-T-EF02	
	EPA emission standard		EPA Tier 4		
	Type		Diesel, water cooled, 4 cycle, 3 cylinder, with turbo charger		
	Displacement	L(cu.in)	1.826 (111.4)		
	Rated output	kW(HP)/min ⁻¹	32.3 (43) / 2,400		
	Electric system battery	V(V/Ah×Qty)	12(12 / 72×1)		
	Electric system alternator	V/A	12 / 60		
DRIVE SYSTEM	Power transmission type		Hydrostatic		
	Drive wheel		All wheel (drum & tires)		
VIBRATION SYSTEM	Power transmission type		Hydraulic		
	Number of amplitude		2		
BRAKE SYSTEM	Vibrator type		Single eccentric shaft		
	Service brake		Dynamic braking through hydrostatic drive system / F-N-R lever		
	Secondary brake(Emergency brake)		Hydrostatic + Spring applied hydraulically released type(SAHR) / Brake pedal		
STEERING SYSTEM	Parking brake		SAHR / Panel button		
	Power transmission type		Hydraulic		
FLUID CAPACITY	Articulation / Oscillating angle	±(°)	35 / 4.0		
	Fuel tank	L(gal)	50 (13.2)		
	Hydraulic oil tank	L(gal)	43 (11.4)		
	Water sprinkler tank	L(gal)	310 (81.9)		

- Operating mass : Fuel=50%,Water=50%,Operator=75kg.
- Specifications are subject change without notice.
- Above specified numbers could be deviated within ±5%.
- All units are SI units. Inside of () is for reference units.
- The photos may contain optional equipment and/or attachment.

Optional equipment

- Padlock • Drum lights • Floor mat • Antifreeze tank • LED Working light



SAKAI AMERICA, INC.
(800) 323-0535

90 INTERNATIONAL PARKWAY, ADAIRSVILLE, GEORGIA 30103